

## 601-101 Ball Anti-Sitting Stud - 35mm



Above. Shown with machined finish

### Description

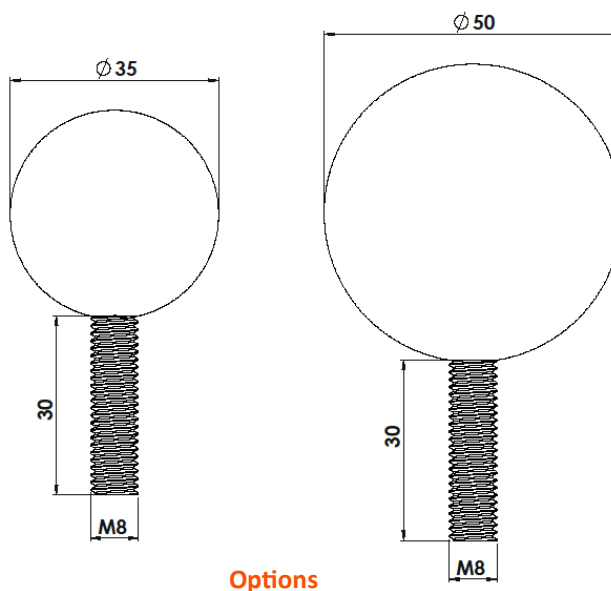
Manufactured from 316 Stainless Steel.  
Machined polish finish as standard.  
Constructed from non corrosive material.  
Long Service life. To be installed flush with the ground

### Dimensions

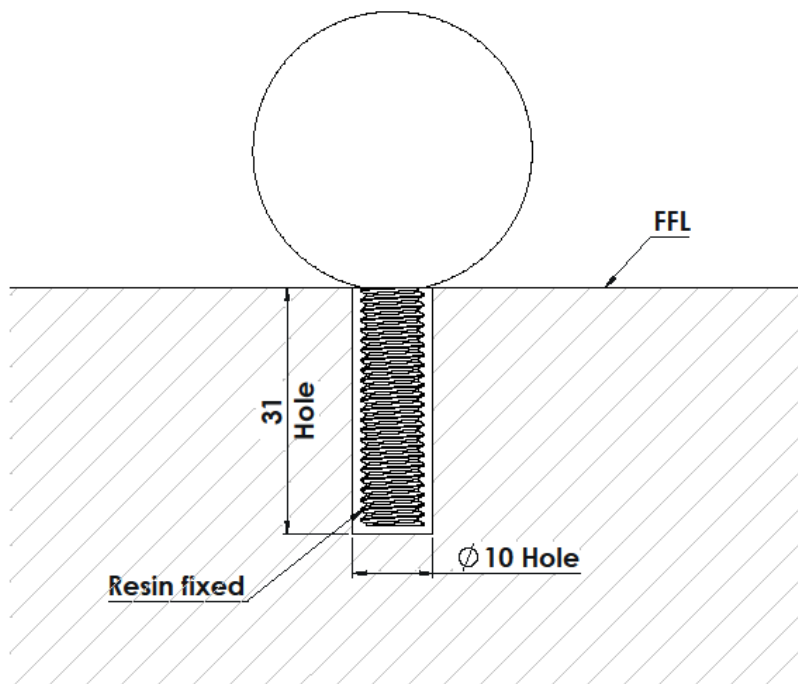
35mm $\phi$   
30mm long x 8mm $\phi$  threaded stud

### Options

Spike version  
50mm size  
Bespoke sizing  
Bronze versions  
Full installation service



## 601-101 Ball Anti-Sitting Stud - 35mm



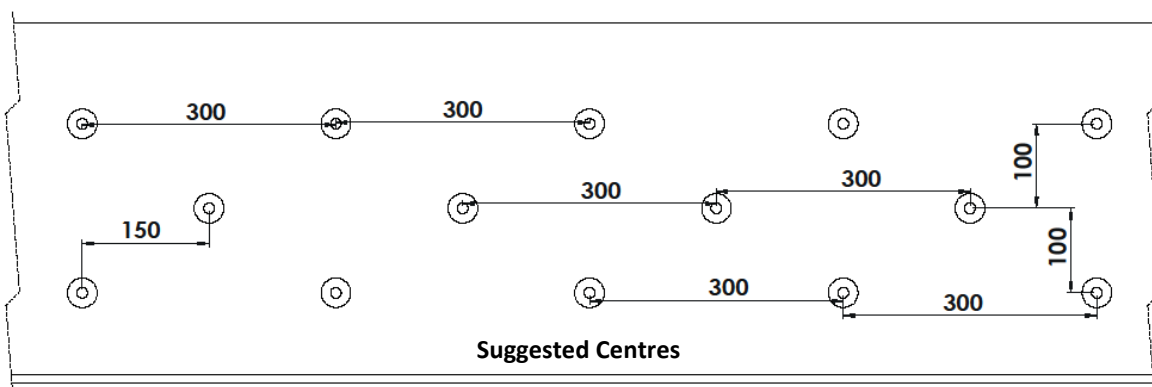
### Installation

1. Drill hole 10mm in diameter to the 31mm depth shown above.
2. Remove dust and debris caused by drilling.
3. Following the product guidelines apply a sufficient amount of Studmarc Superbond Epoxy Resin to half fill the drilled hole.
4. Push the stud into the hole firmly ensuring an edge seal around the entire stud
5. Allow a few minutes for the Polymer Modified Adhesive to set.

### Cleaning & Maintenance

*This product is designed for all weather exposure requiring only minimal maintenance as detailed below.*

**316 Stainless Steel:** Manufactured from 316 Stainless Steel. Maintenance free, inspect fixing every 6 months. Add additional adhesive where required.



## 601-101 Ball Anti-Sitting Stud - 35mm

