

## 202-103 Demarcation Anti-Slip Stud Stainless Steel



Above. Shown with machined finish

### Description

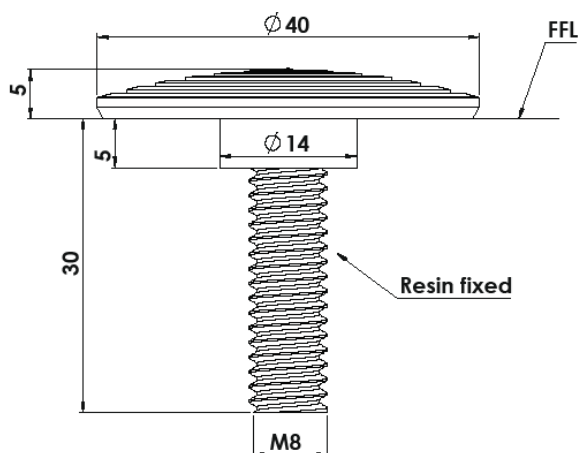
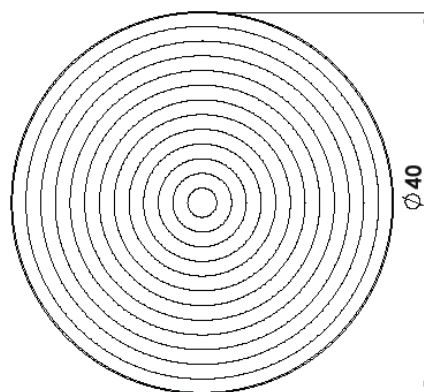
Manufactured from 316 Stainless Steel.  
Machined polish finish as standard.  
Constructed from non corrosive material.  
Long Service life. To be installed flush with the ground

### Dimensions

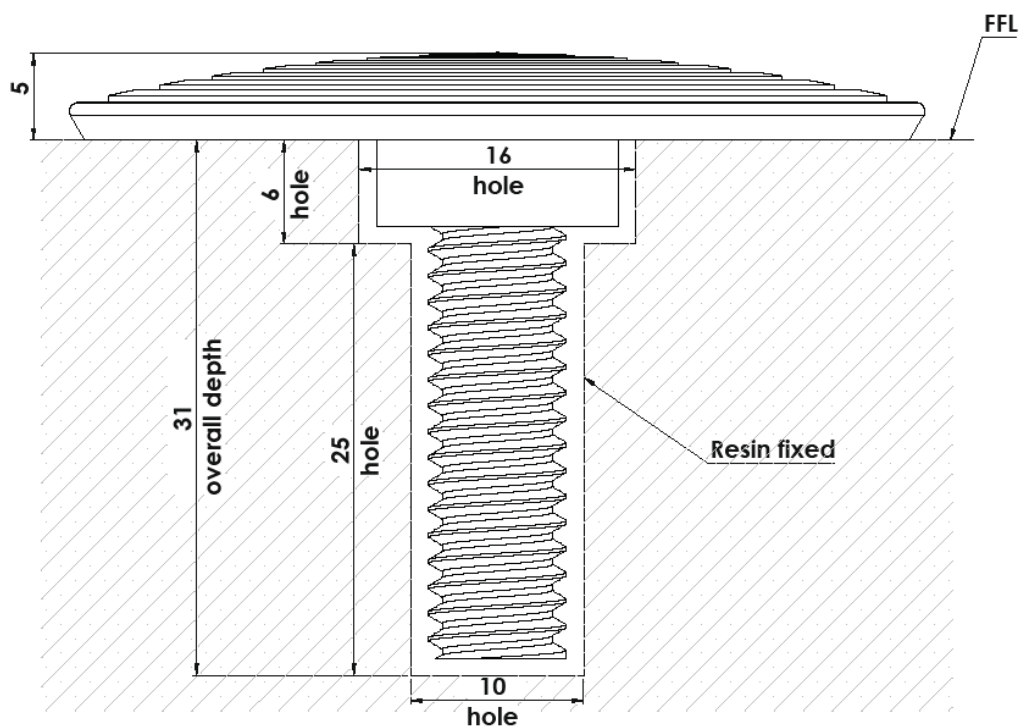
40mm $\phi$  x 4mm thick top  
30mm long x 8mm $\phi$  threaded stud

### Options

Etched or polished finish  
Sizes 25, 50, 75, 90, 105 and 120mm  
Smooth topped version suitable for off-highway use such as car parks  
Bronze versions  
Full installation service



## 202-103 Demarcation Anti-Slip Stud Stainless Steel



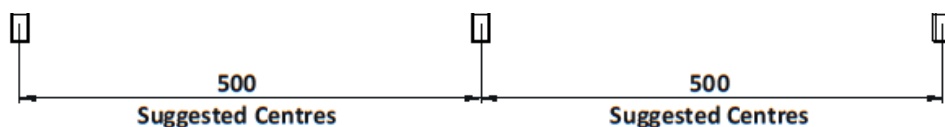
### Installation

1. Drill hole 10mm in diameter to the 31mm depth shown above.
2. Drill second 16mm hole to the 6mm depth shown above
2. Remove dust and debris caused by drilling.
3. Following the product guidelines heat the Polymer Modified Adhesive and pour a sufficient amount to fill the drilled hole.
4. Push the stud into the hole firmly ensuring an edge seal around the entire stud
5. Allow a few minutes for the Polymer Modified Adhesive to set.

### Cleaning & Maintenance

*This product is designed for all weather exposure requiring only minimal maintenance as detailed below.*

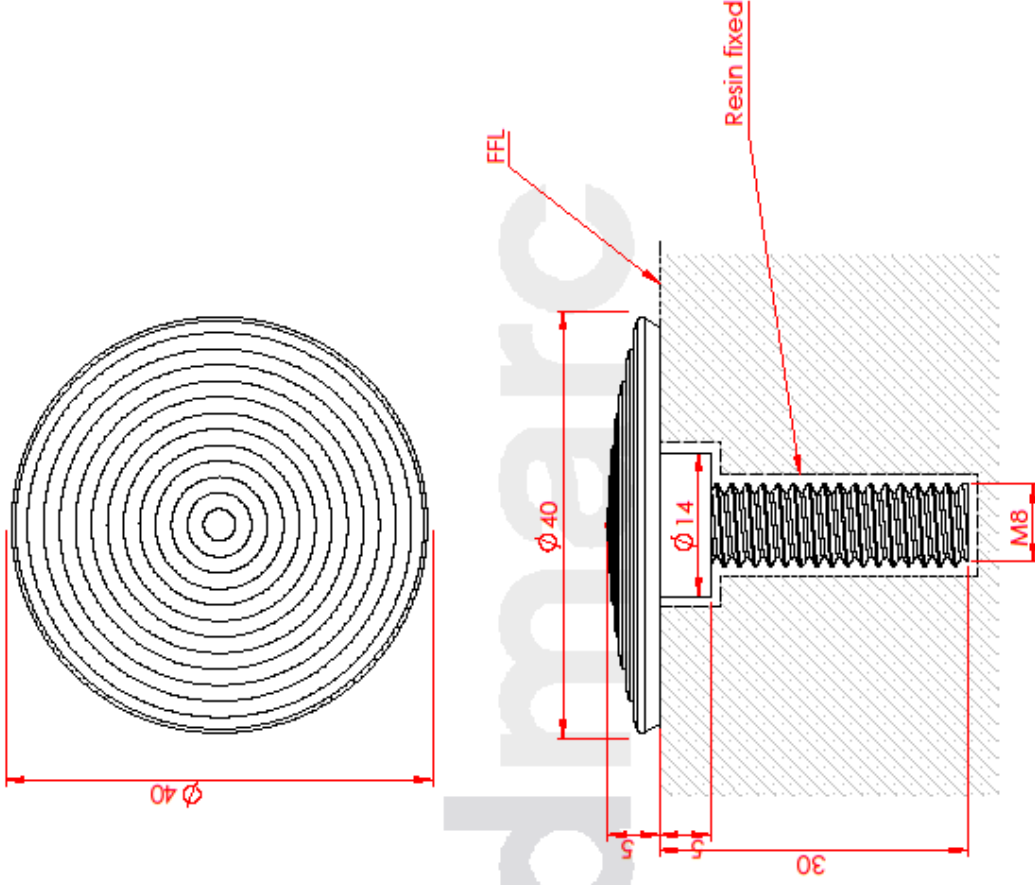
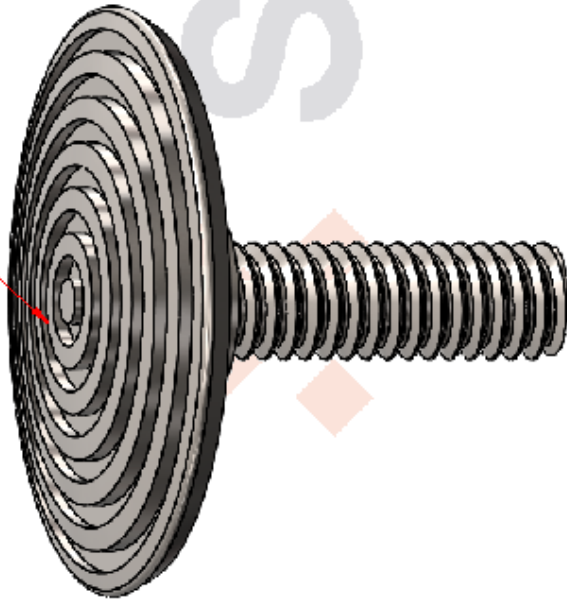
316 Stainless Steel: Manufactured from 316 Stainless Steel. Maintenance free, inspect fixing every 6 months. Add additional adhesive where required.



202-103 Demarcation Anti-Slip Stud Stainless Steel



Semi domed top  
with anti slip grooves



**Manufactured in 316 Stainless Steel**

All details are indicative and must be checked with site engineer for approval.  
This plan is based on general advice and will need to be checked against local planning regulations/requirements.  
Drawing copyright property of Landmark and must not be duplicated or distributed to third parties without consent.

Date Issued	TS
Customer	Checked By
Project	Scale 2:1
Title	Sheet Size A3
40mm Anti-slip Demarcation Stud	All Dimensions in mm Do not scale from drawing If in doubt please ask!
Drng No. 202-103	Issue. 1

**Studmarc**

Trefaglwys Road  
Cae-rsrys  
Powys  
SY17 5HH

Tel: 01686 689 198  
sales@landmarkstreetfurniture.com