

## 202-102 Demarcation Anti-Slip Stud - Brass



Above. Shown with machined finish

### Description

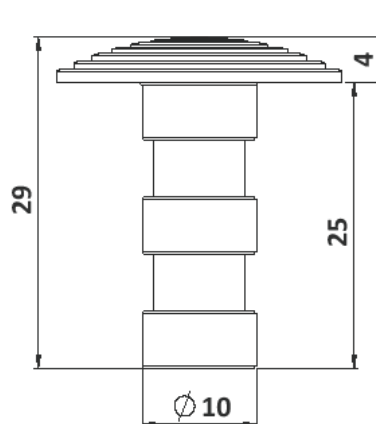
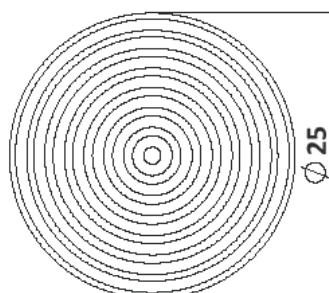
Manufactured from brass. Satin polish finish as standard. Constructed from non corrosive material. Long Service life. To be installed flush with the ground

### Dimensions

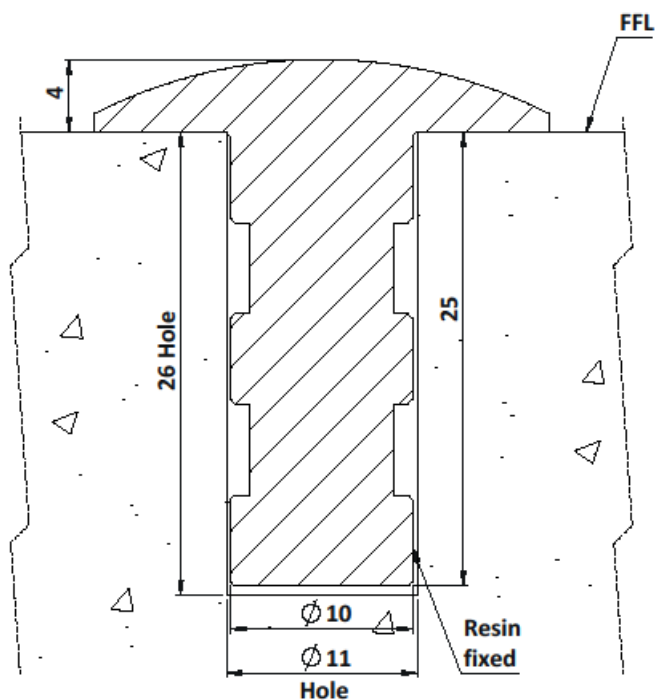
25mm $\phi$  x 4mm thick top  
25mm long x 10mm $\phi$  threaded stud

### Options

Etched or polished finish  
Sizes 40, 50, 75, 90, 105 and 120mm  
Smooth topped version suitable for off-highway use such as car parks  
Stainless steel versions  
Full installation service



## 202-102 Demarcation Anti-Slip Stud - Brass Installation



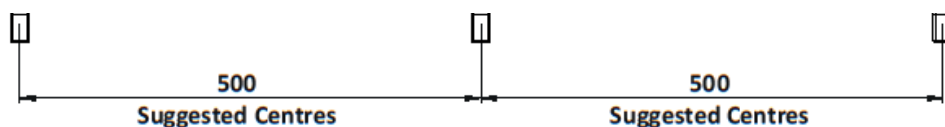
### Installation

1. Drill holes 11mm in diameter to the depths shown above.
2. Remove dust and debris caused by drilling.
3. Following the product guidelines heat the Polymer Modified Adhesive and pour a sufficient amount to fill the drilled hole.
4. Push the stud into the hole firmly ensuring an edge seal around the entire stud
5. Allow a few minutes for the Polymer Modified Adhesive to set.

### Cleaning & Maintenance

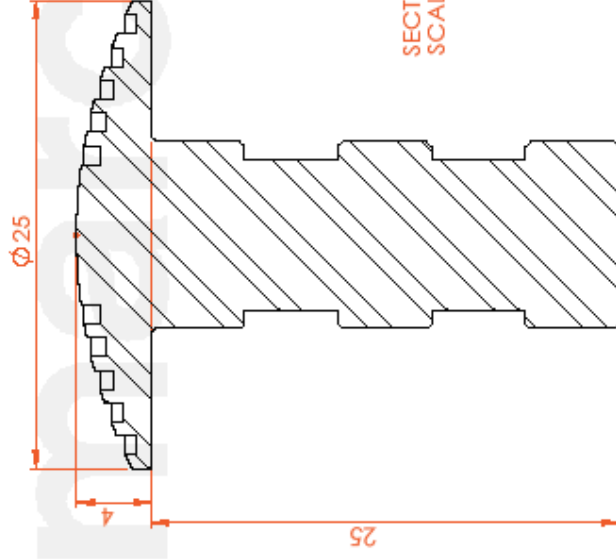
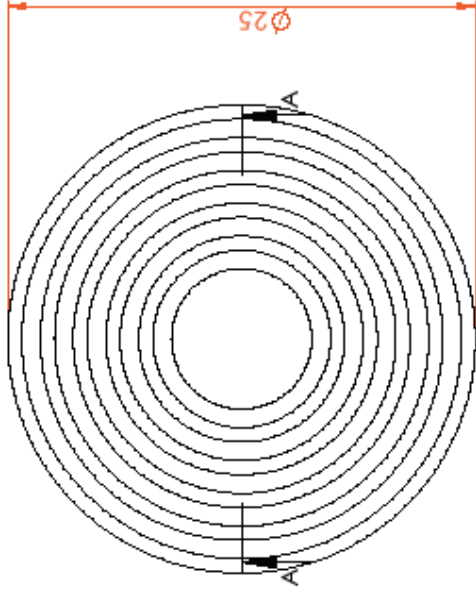
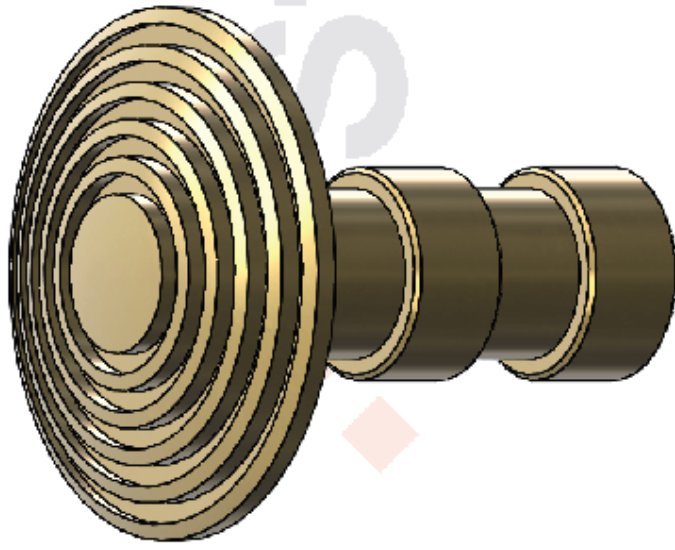
*This product is designed for all weather exposure requiring only minimal maintenance as detailed below.*

Brass: Manufactured from premium brass. Maintenance free, inspect fixing every 6 months. Add additional Adhesive where required.



## 202-102 Demarcation Anti-Slip Stud - Brass





SECTION A-A  
SCALE 3.5 : 1

Manufactured from Brass  
Machined polish finish

All details are indicative and must be checked with site engineer for approval.  
This plan is based on general advice and will need to be checked against local planning regulations/requirements.  
Drawing copyright property of Studmarc and must not be duplicated or distributed to third parties without consent.

Date Issued	Drawn By	TS
Customer	Checked By	
Project	Scale	2:1
Title	Sheet Size	A3
	All Dimensions in mm Do not scale from drawing If in doubt please ask!	
Drg No.	Issue	1

202-102  
Anti-slip Demarcation - Brass

**Studmarc**

Trefeglwys Road  
Caerwys  
Powys  
SY17 3HH

Tel: 01686 689 198  
sales@studmarc.com