

202-101 Demarcation Anti-Slip Stud SS



Above. Shown with machined finish

Description

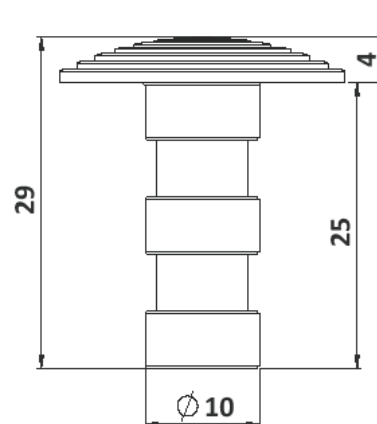
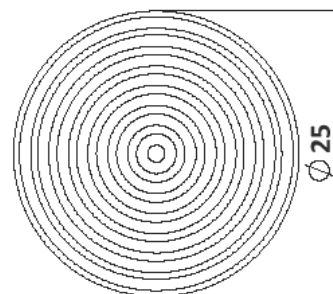
Manufactured from 316 Stainless Steel.
Machined polish finish as standard.
Constructed from non corrosive material.
Long Service life. To be installed flush with the ground

Dimensions

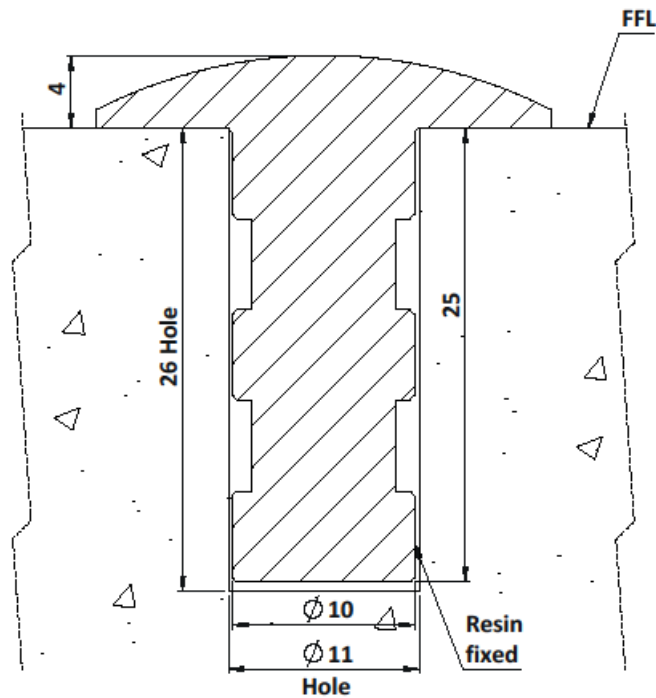
25mm ϕ x 4mm thick top
25mm long x 10mm ϕ threaded stud

Options

Etched or polished finish
Sizes 40, 50, 75, 90, 105 and 120mm
Smooth topped version suitable for off-highway use such as car parks
Stainless steel versions
Full installation service



202-101 Demarcation Anti-Slip Stud SS Installation



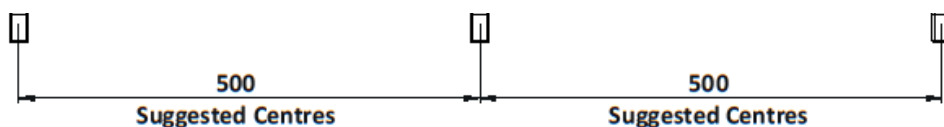
Installation

1. Drill holes 11mm in diameter to the depths shown above.
2. Remove dust and debris caused by drilling.
3. Following the product guidelines heat the Polymer Modified Adhesive and pour a sufficient amount to fill the drilled hole.
4. Push the stud into the hole firmly ensuring an edge seal around the entire stud
5. Allow a few minutes for the Polymer Modified Adhesive to set.

Cleaning & Maintenance

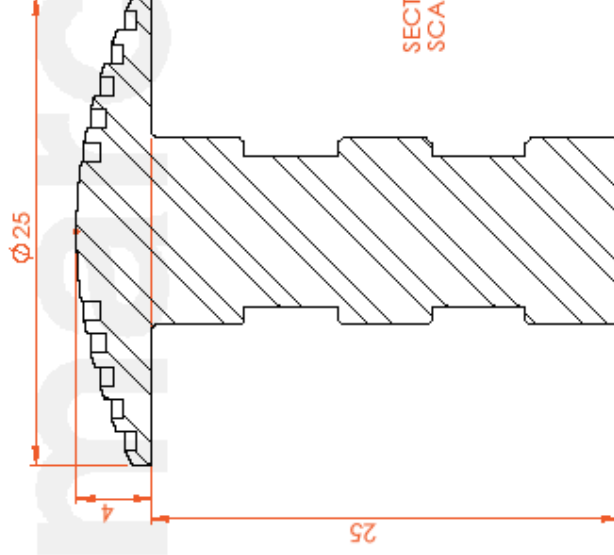
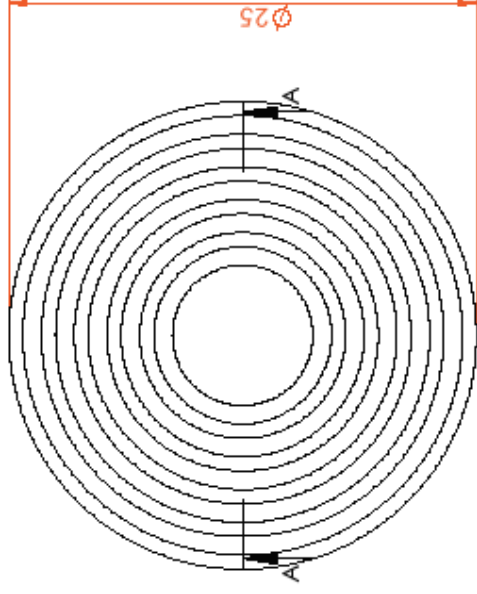
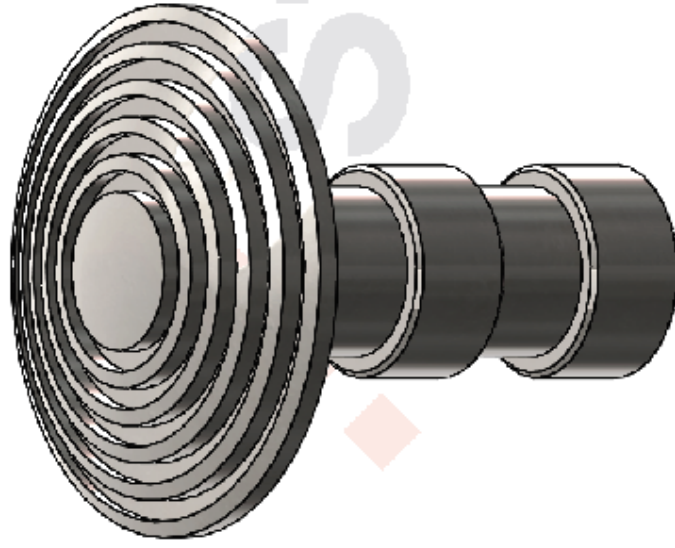
This product is designed for all weather exposure requiring only minimal maintenance as detailed below.

Stainless Steel: Manufactured from premium stainless steel. Maintenance free, inspect fixing every 6 months. Add additional adhesive where required.



202-101 Demarcation Anti-Slip Stud SS





Manufactured from 316 Stainless Steel
Machined polish finish

All details are indicative and must be checked with site engineer for approval.
This plan is based on general advice and will need to be checked against local planning regulations/requirements.
Drawing copyright property of Studmarc and must not be duplicated or distributed to third parties without consent.

Date Issued	Drawn By	TS
Customer	Checked By	
Project	Scale	2:1
Title	Sheet Size	A3
	All Dimensions in mm Do not scale from drawing If in doubt please ask!	
Drg No.	Issue. 1	

Studmarc

Trefeglwys Road
Caerwys
Powys
SY17 5HH

Tel: 01686 689 198
sales@studmarc.com