

DATASHEET

201-101 Plain Flush Fit Demarcation Stud, 25mm



Above. Shown with machined finish

Description

Manufactured from Brass.

Machined polish finish as standard.

Constructed from non corrosive material.

Long Service life.

To be installed onto finish surface.

Dimensions

25mm \varnothing x 4mm thick top

25mm long x 10mm \varnothing threaded stud

Options

Diameter options: 15mm - 120mm

Material Options

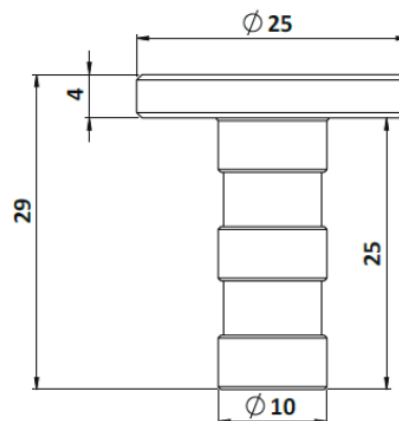
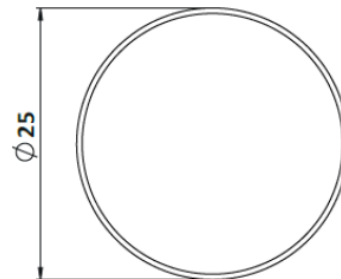
Aluminium - 316 Stainless Steel - Bronze

Fixing Pin Options

Self-adhesive - Welded Pin - No

Finishing Options

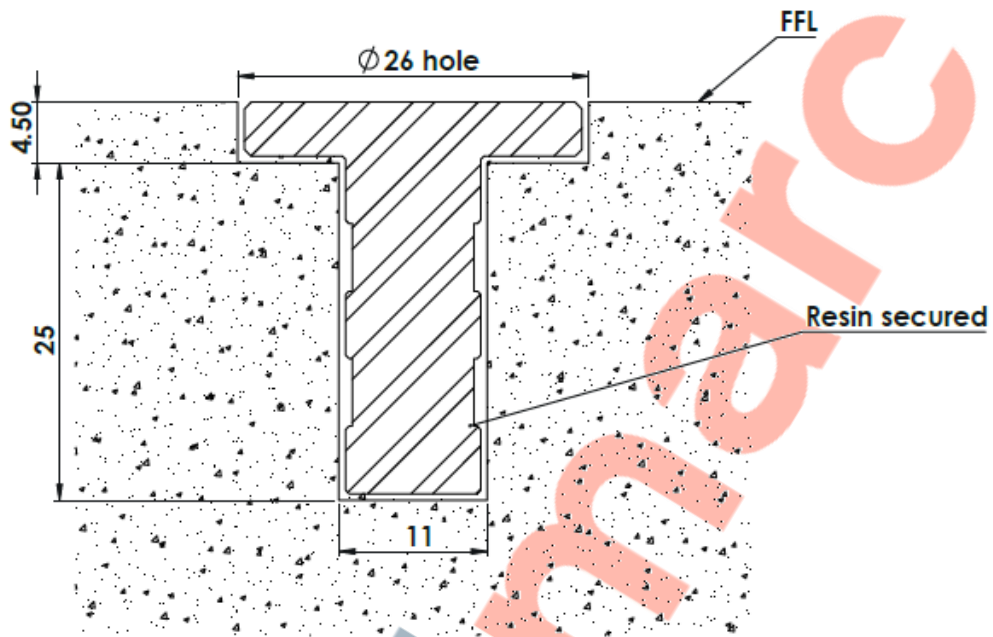
Burnt - Bright Polish - Sandblasted



Full installation service - POA



201-101 Brass Flush Fit Stud Installation



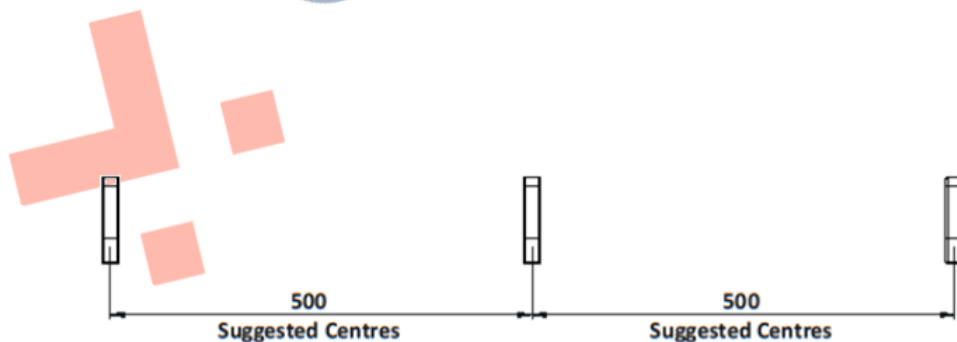
Installation

1. Drill holes 11mm & 26mm in diameter to the depths shown above.
2. Remove dust and debris caused by drilling.
3. Following the product guidelines, found on the Resin tube, pour a sufficient amount to fill the drilled hole.
4. Push the stud into the hole firmly ensuring an edge seal around the entire stud
5. Allow a few minutes for the Polymer Modified Adhesive to set.

Cleaning & Maintenance

This product is designed for all weather exposure requiring only minimal maintenance as detailed below.

Brass: Manufactured from premium Brass. Maintenance free, inspect fixing every 6 months. Add additional adhesive where required.



DATASHEET

201-101 Plain Flush Fit Demarcation Stud, 25mm

