

## DATASHEET

# 200-101 Plain Chamfered 316 Stainless Steel Stud, 25mm



**Above.** Shown with machined finish

### Description

Manufactured from 316 Stainless steel as standard.

Machined polish finish as standard.

Constructed from non corrosive material.

Long Service life.

To be installed onto finish surface.

### Dimensions

25mm $\varnothing$  x 5mm thick top

25mm long x 10mm $\varnothing$  threaded stud

### Options

Diameter options: 15mm - 100mm

### Material Options:

Brass - Aluminium - Bronze - 304 S/S - 316 S/S

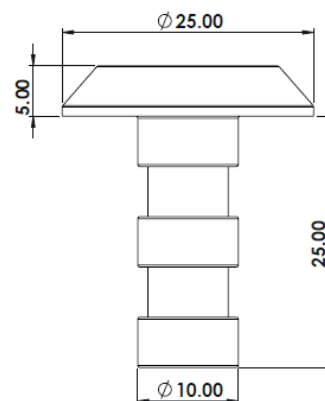
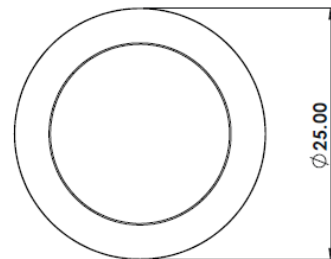
### Fixing Pin Options

Self adhesive - Welded pin - Machined pin - No pin

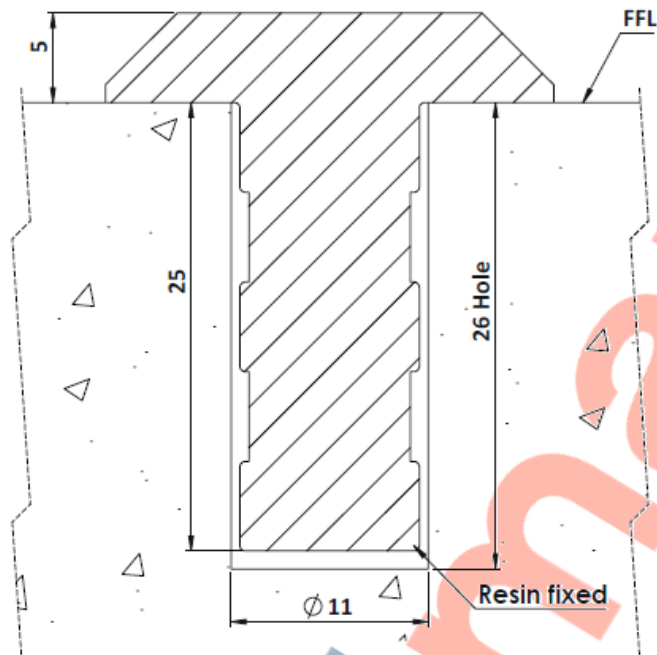
### Finishing Options

Burnt - Bright Polish - Sandblasted

### Full installation service - POA



# 200-101 Plain Chamfered Stainless Steel Stud Installation



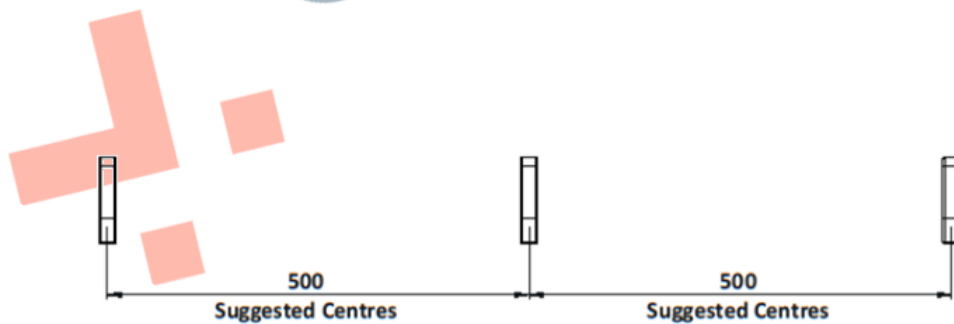
## Installation

1. Drill holes 11mm in diameter to the depths shown above.
2. Remove dust and debris caused by drilling.
3. Following the product guidelines, found on the Resin tube, pour a sufficient amount to fill the drilled hole.
4. Push the stud into the hole firmly ensuring an edge seal around the entire stud
5. Allow a few minutes for the Polymer Modified Adhesive to set.

## Cleaning & Maintenance

*This product is designed for all weather exposure requiring only minimal maintenance as detailed below.*

Stainless Steel: Manufactured from premium Stainless Steel. Maintenance free, inspect fixing every 6 months. Add additional adhesive where required.



DATASHEET

**200-101** Plain Chamfered 316 Stainless Steel Stud, 25mm

