

## 202-200 Low Dome Smooth Stud SS



**Above.** Shown with machined polish finish

### Description

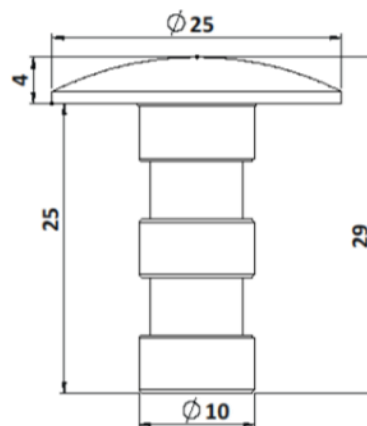
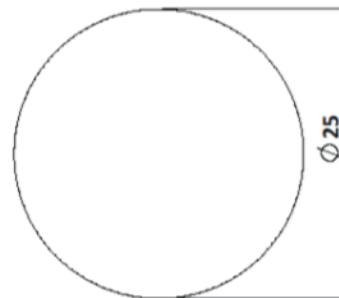
Manufactured from 316 Stainless Steel.  
Machined polish finish as standard.  
Constructed from non corrosive material.  
Long Service life. To be installed flush with the ground

### Dimensions

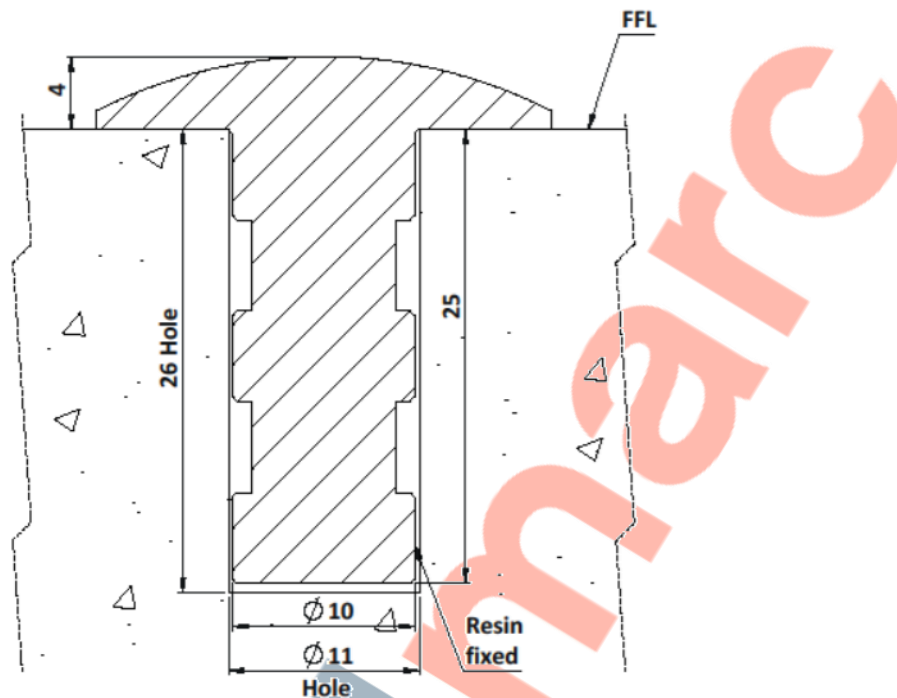
25mm $\phi$  x 4mm thick top  
25mm long x 10mm $\phi$  threaded stud

### Options

Etched or polished finish  
Diameter options 20 - 120mm  
Anti-slip topped version suitable for pavements and walkways  
Stainless steel versions  
Full installation service



## 202-200 Low Dome Smooth Stud SS Installation



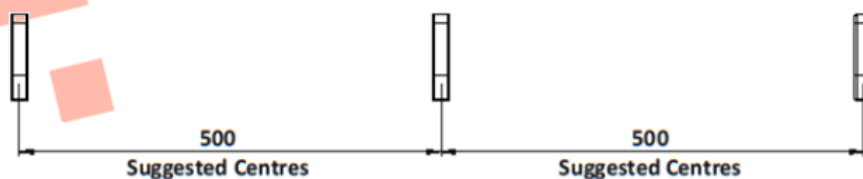
### Installation

1. Drill holes 11mm in diameter to the depths shown above.
2. Remove dust and debris caused by drilling.
3. Following the product guidelines heat the Polymer Modified Adhesive and pour a sufficient amount to fill the drilled hole.
4. Push the stud into the hole firmly ensuring an edge seal around the entire stud
5. Allow a few minutes for the Polymer Modified Adhesive to set.

### Cleaning & Maintenance

*This product is designed for all weather exposure requiring only minimal maintenance as detailed below.*

Stainless Steel Manufactured from premium grade stainless steel. Maintenance free, inspect fixing every 6 months. Add additional adhesive where required.



DATASHEET

**202-200** Low Dome Smooth Stud SS

