

201-101 Brass Flush Fit Stud



Above. Shown with machined finish

Description

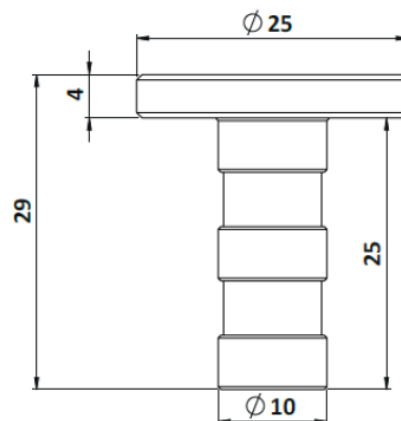
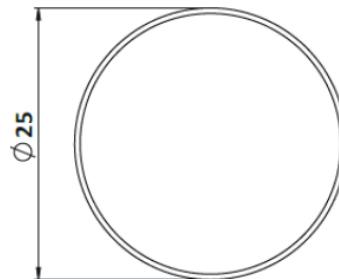
Manufactured from Brass.
Machined polish finish as standard.
Constructed from non corrosive material.
Long Service life. To be installed onto finish surface.

Dimensions

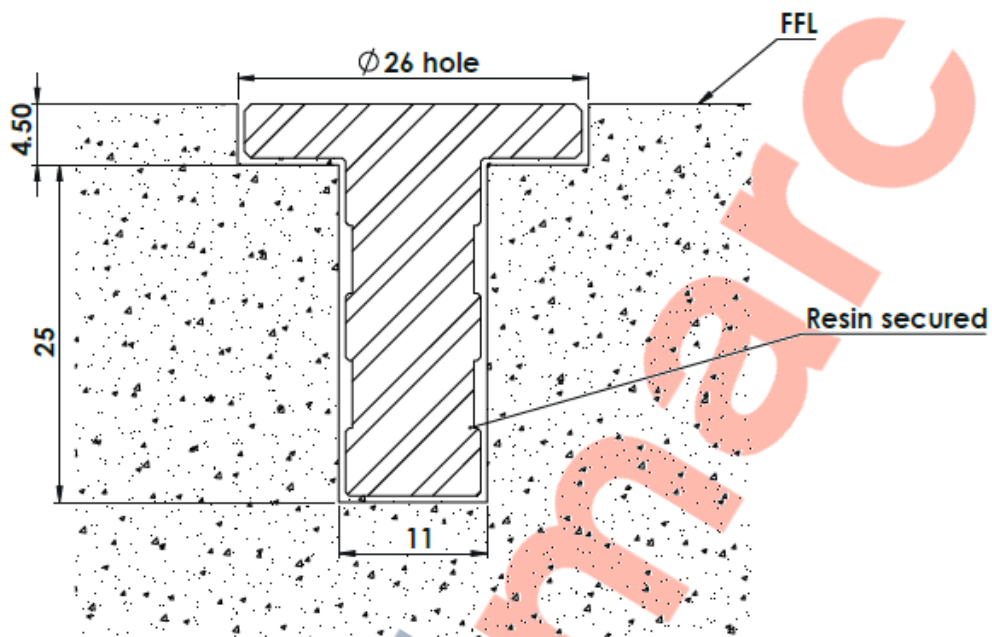
25mm ϕ x 4mm thick top
25mm long x 10mm ϕ threaded stud

Options

Etched or polished finish
Sizes 40, 50, 75, 90, 105 and 120mm
Smooth topped version suitable for off-highway use such as car parks
Stainless Steel versions
Full installation service



201-101 Brass Flush Fit Stud Installation



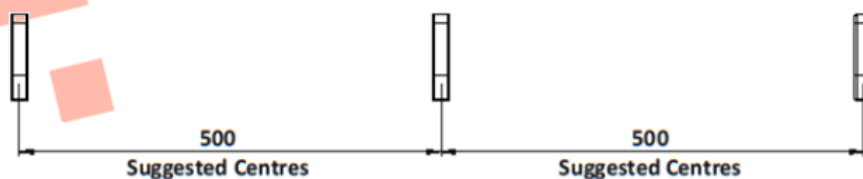
Installation

1. Drill holes 11mm & 26mm in diameter to the depths shown above.
2. Remove dust and debris caused by drilling.
3. Following the product guidelines heat the Polymer Modified Adhesive and pour a sufficient amount to fill the drilled hole.
4. Push the stud into the hole firmly ensuring an edge seal around the entire stud
5. Allow a few minutes for the Polymer Modified Adhesive to set.

Cleaning & Maintenance

This product is designed for all weather exposure requiring only minimal maintenance as detailed below.

Brass: Manufactured from premium Brass. Maintenance free, inspect fixing every 6 months. Add additional adhesive where required.



DATASHEET

201-101 Brass Flush Fit Stud

