

200-302 Chamfered Anti-Slip Stud - Brass



Above. Shown with machined polished finish

Description

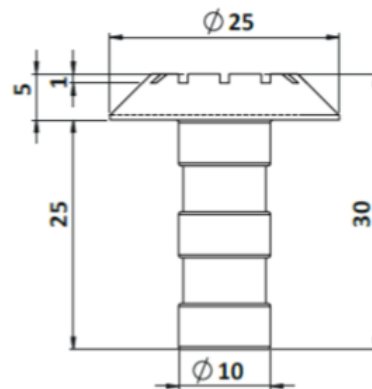
Manufactured from Brass. Machined polish finish as standard. Constructed from non corrosive material. Long Service life. Comes with a chamfered edge and anti slip grooves.

Dimensions

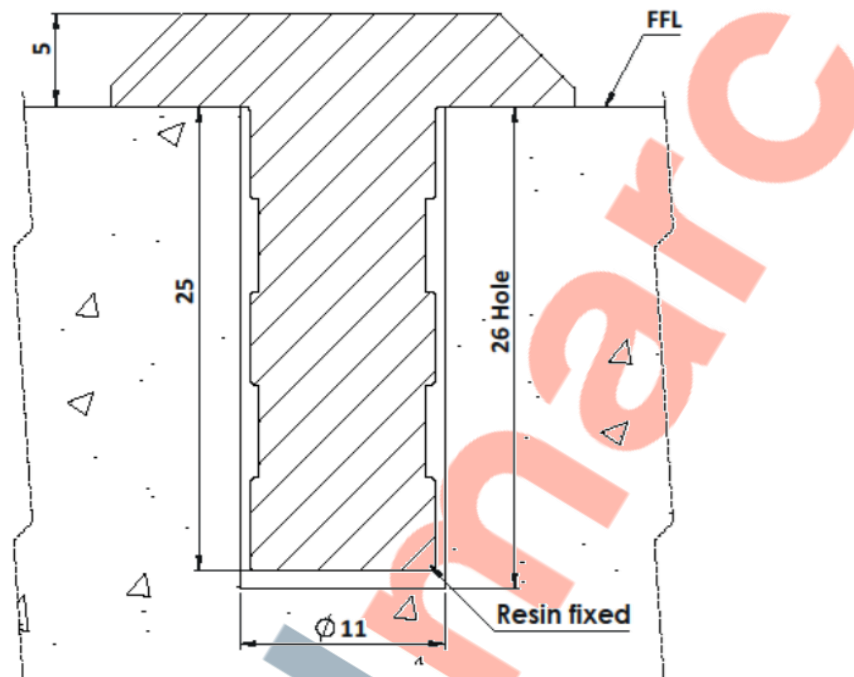
25mm \varnothing x 30mm x 5mm thick top
M10 thread

Options

Smooth finish
Diameter options 20 - 120mm
Etched Infills – Disabled, Cycleway, Numerical, Company or Custom Designs & Logos
Stainless steel version
Full installation service



200-302 Chamfered Anti-Slip Stud - Brass Installation



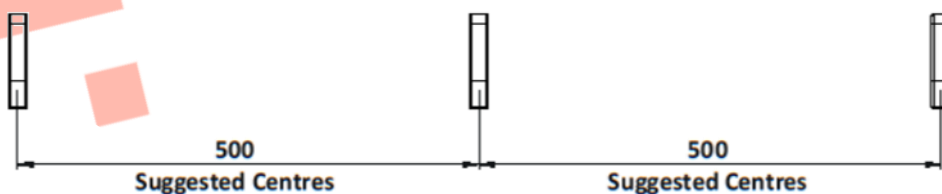
Installation

1. Drill holes 11mm in diameter to the depths shown above.
2. Remove dust and debris caused by drilling.
3. Following the product guidelines heat the Polymer Modified Adhesive and pour a sufficient amount to fill the drilled hole.
4. Push the stud into the hole firmly ensuring an edge seal around the entire stud
5. Allow a few minutes for the Polymer Modified Adhesive to set.

Cleaning & Maintenance

This product is designed for all weather exposure requiring only minimal maintenance as detailed below.

Brass: Manufactured from premium Brass. Maintenance free, inspect fixing every 6 months. Add additional adhesive where required.



DATASHEET

200-302 Chamfered Anti-Slip Stud - Brass

