

DATASHEET

200-103 Chamfered Stud 40mm



Above. Shown with machined polished finish

Description

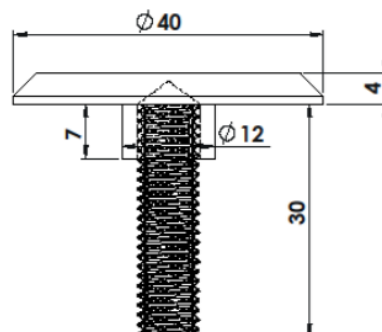
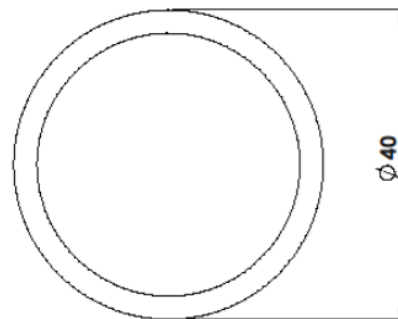
Manufactured from 316 Stainless steel.
Machined polish finish as standard. Constructed from non corrosive material. Long Service life. Comes with a chamfered edge and smooth top.

Dimensions

40mm \varnothing x 4mm thick top
M10 thread

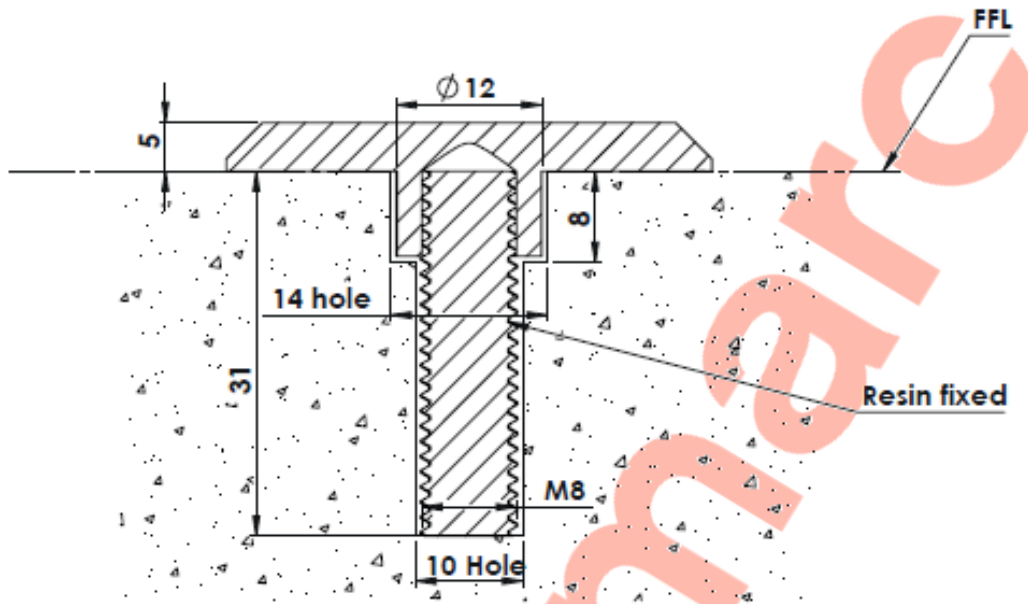
Options

Anti-slip rings finish
Diameter options 20 - 120mm
Etched Infills – Disabled, Cycleway, Numerical, Company or Custom Designs & Logos
Stainless steel version
Full installation service



200-103 Chamfered Stud 40mm

Installation



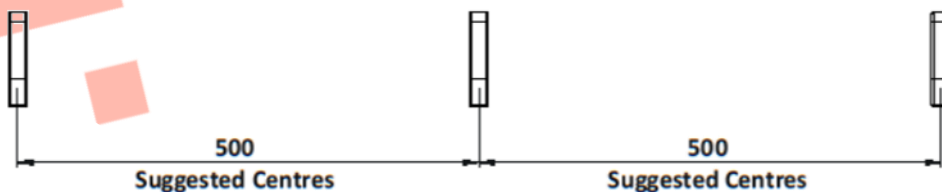
Installation

1. Drill hole 10mm in diameter to the depths shown above.
2. Drill holes M14 in diameter to the depths shown above.
3. Remove dust and debris caused by drilling.
4. Following the product guidelines heat the Polymer Modified Adhesive and pour a sufficient amount to fill the drilled hole.
5. Push the stud into the hole firmly ensuring an edge seal around the entire stud
6. Allow a few minutes for the Polymer Modified Adhesive to set.

Cleaning & Maintenance

This product is designed for all weather exposure requiring only minimal maintenance as detailed below.

Stainless Steel: Manufactured from premium Stainless Steel. Maintenance free, inspect fixing every 6 months. Add additional adhesive where required.



DATASHEET

200-103 Chamfered Stud 40mm

