

200-101 Plain Chamfered Stainless Steel Stud



Above. Shown with machined finish

Description

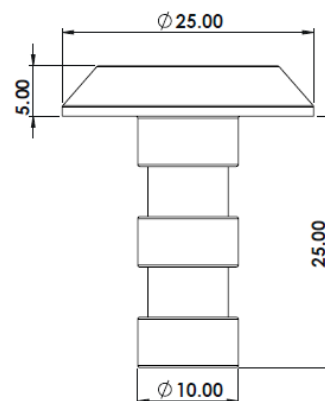
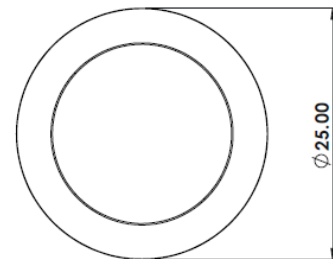
Manufactured from Stainless steel.
Machined polish finish as standard.
Constructed from non corrosive material.
Long Service life. To be installed onto finish surface.

Dimensions

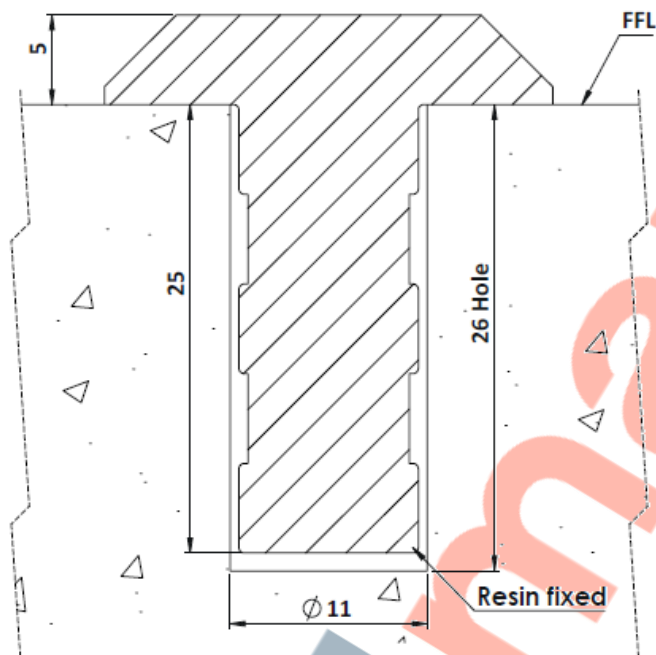
25mm ϕ x 5mm thick top
25mm long x 10mm ϕ threaded stud

Options

Etched or polished finish
Diameter options 20 - 120mm
Crosshatch option
Brass versions
Full installation service



200-101 Plain Chamfered Stainless Steel Stud Installation



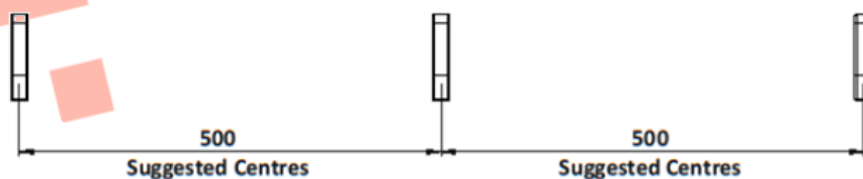
Installation

1. Drill holes 11mm in diameter to the depths shown above.
2. Remove dust and debris caused by drilling.
3. Following the product guidelines heat the Polymer Modified Adhesive and pour a sufficient amount to fill the drilled hole.
4. Push the stud into the hole firmly ensuring an edge seal around the entire stud
5. Allow a few minutes for the Polymer Modified Adhesive to set.

Cleaning & Maintenance

This product is designed for all weather exposure requiring only minimal maintenance as detailed below.

Stainless Steel: Manufactured from premium Stainless Steel. Maintenance free, inspect fixing every 6 months. Add additional adhesive where required.



DATASHEET

200-101 Plain Chamfered Stainless Steel Stud

