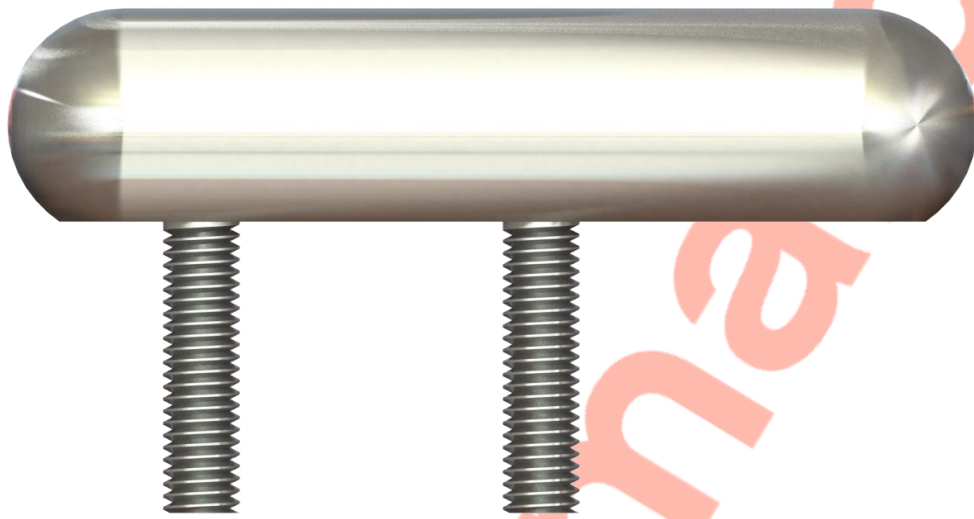


DATASHEET

108-101 Sleeper Anti-Skate Stud



Above. Shown with attractive machine finish

Description

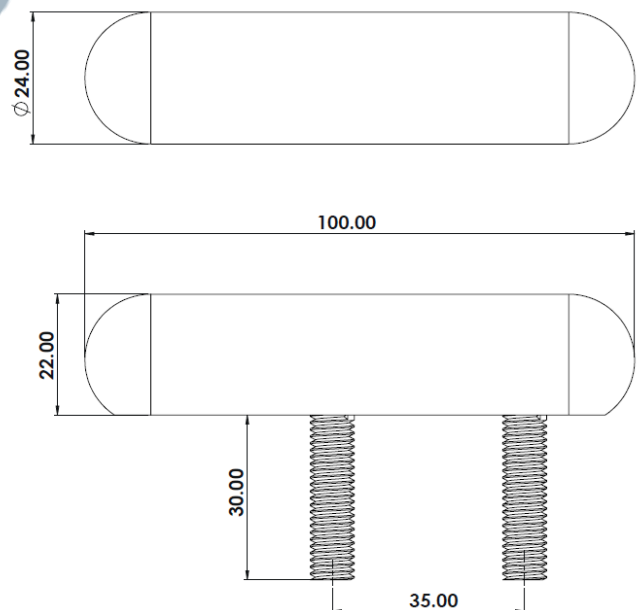
Manufactured from 316 grade steel.
Satin polish finish as standard.
Constructed from non corrosive material.
Decorative feature anti-skating device.
2no. M8 studs to be resin fixed to concrete,
stone or timber.

Dimensions

24mm ϕ
100mm Overall length + 22mm height

Options

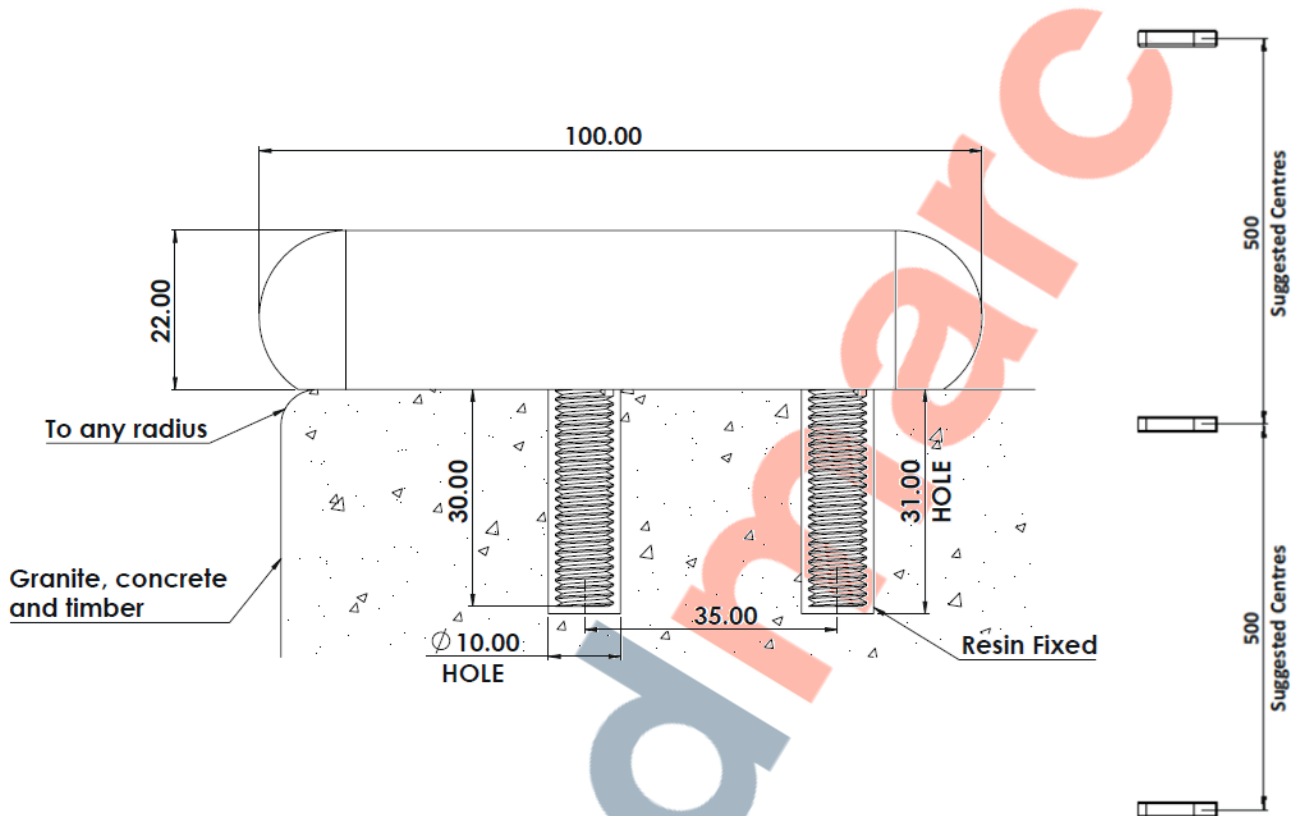
Specify required internal radius to suit
edge of base product.
304 Grade stainless steel
Brass
Bespoke sizing
Full installation service



DATASHEET

108-101 Sleeper Anti-Skate Stud

Installation



Installation

1. Drill 2no. holes 10mm in diameter to the depths shown above.
2. Remove dust and debris caused by drilling.
3. Following the product guidelines heat the Polymer Modified Adhesive and pour a sufficient amount to fill the drilled hole.
4. Push the stud into the hole firmly ensuring an edge seal around the entire stud
5. Allow a few minutes for the Polymer Modified Adhesive to set.

Cleaning & Maintenance

This product is designed for all weather exposure requiring only minimal maintenance as detailed below.

Stainless Steel: Manufactured from premium grade stainless steel. Maintenance free, inspect fixing every 6 months. Add additional Adhesive where required.

DATASHEET

108-101 Sleeper Anti-Skate Stud

