

104-102 Anti-Skate Bar Stud



Above. Shown with attractive machine finish

Description

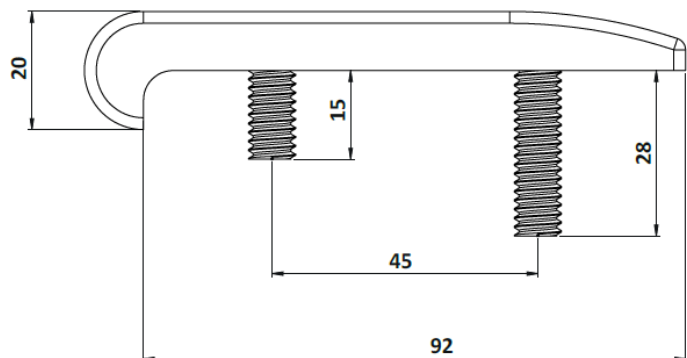
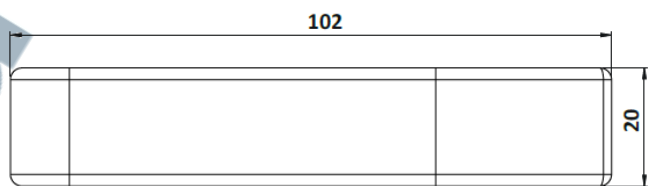
Manufactured from 316 grade steel. Satin polish finish as standard. Suitable for benches, walls and steps. 5mm internal radius as standard. Quick and easy to retrofit to virtually any surface.

Dimensions

20mm Wide
 12mm Max height above surface
 102mm Overall length
 2no. 8mm x 28mm fixing stubs

Options

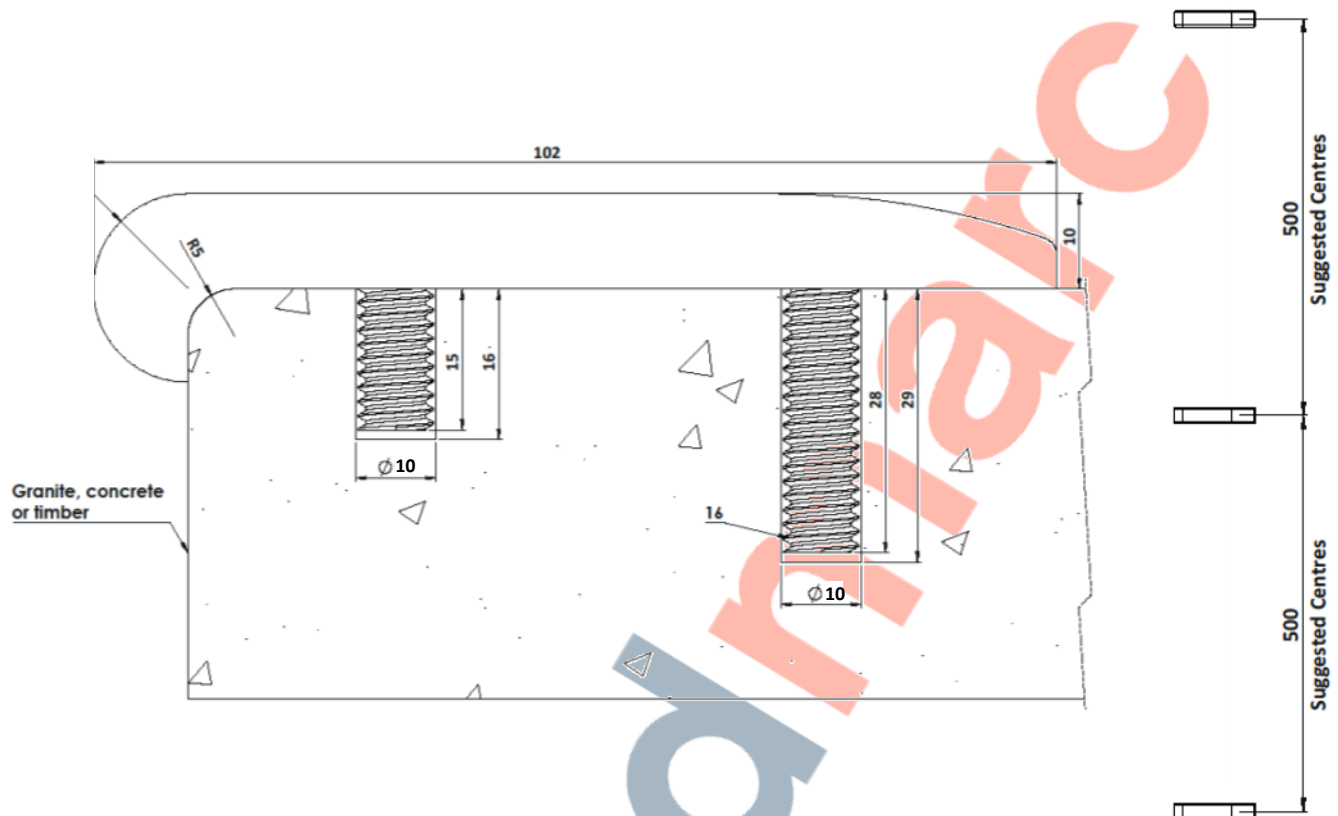
Brass
 304 Grade stainless steel
 Bright polish finish
 Bespoke radius sizing
 Full installation service



DATASHEET

104-102 Anti-Skate Bar Stud

Installation



Installation

1. Drill 2no. holes 10mm in diameter to the depths shown above.
2. Remove dust and debris caused by drilling.
3. Following the product guidelines heat the Polymer Modified Adhesive and pour a sufficient amount to fill the drilled hole.
4. Push the stud into the hole firmly ensuring an edge seal around the entire stud
5. Allow a few minutes for the Polymer Modified Adhesive to set.

Cleaning & Maintenance

This product is designed for all weather exposure requiring only minimal maintenance as detailed below.

Stainless Steel: Manufactured from premium grade stainless steel. Maintenance free, inspect fixing every 6 months. Add additional Adhesive where required.

DATASHEET

104-102 Anti-Skate Bar Stud

