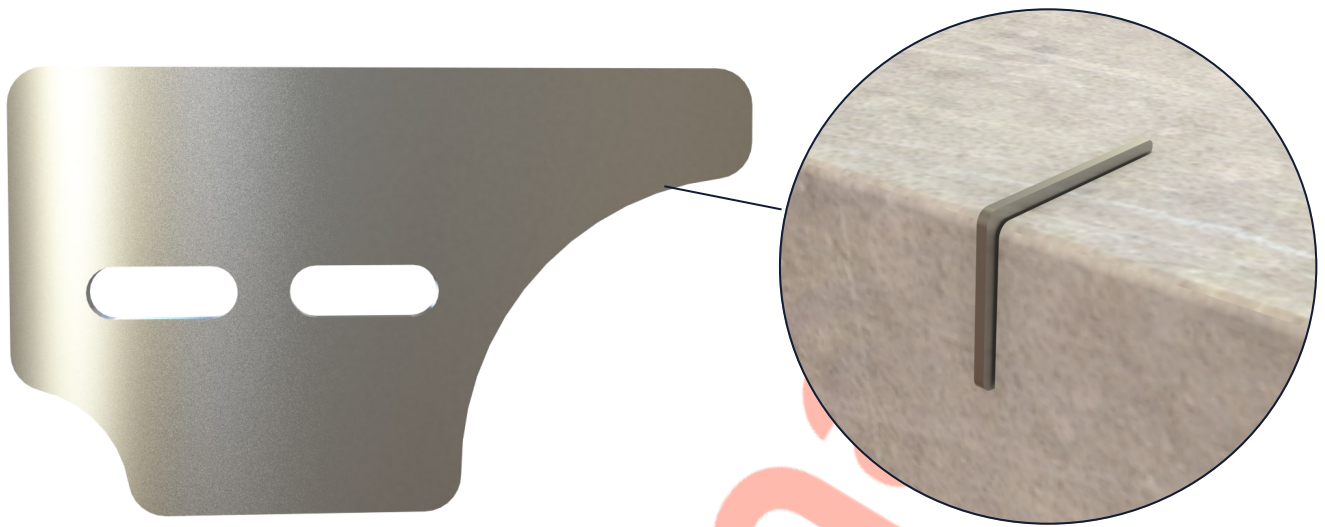


DATASHEET

102-101 Anti-Skate Blade



Above. Shown with attractive machine finish

Description

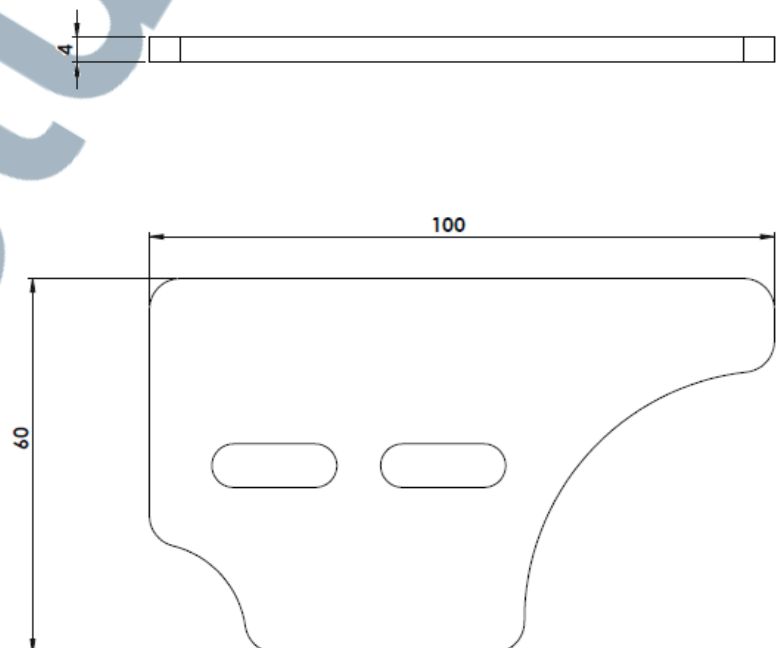
Manufactured from 316 grade steel. Satin polish finish as standard. Suitable for benches, walls and steps.

Dimensions

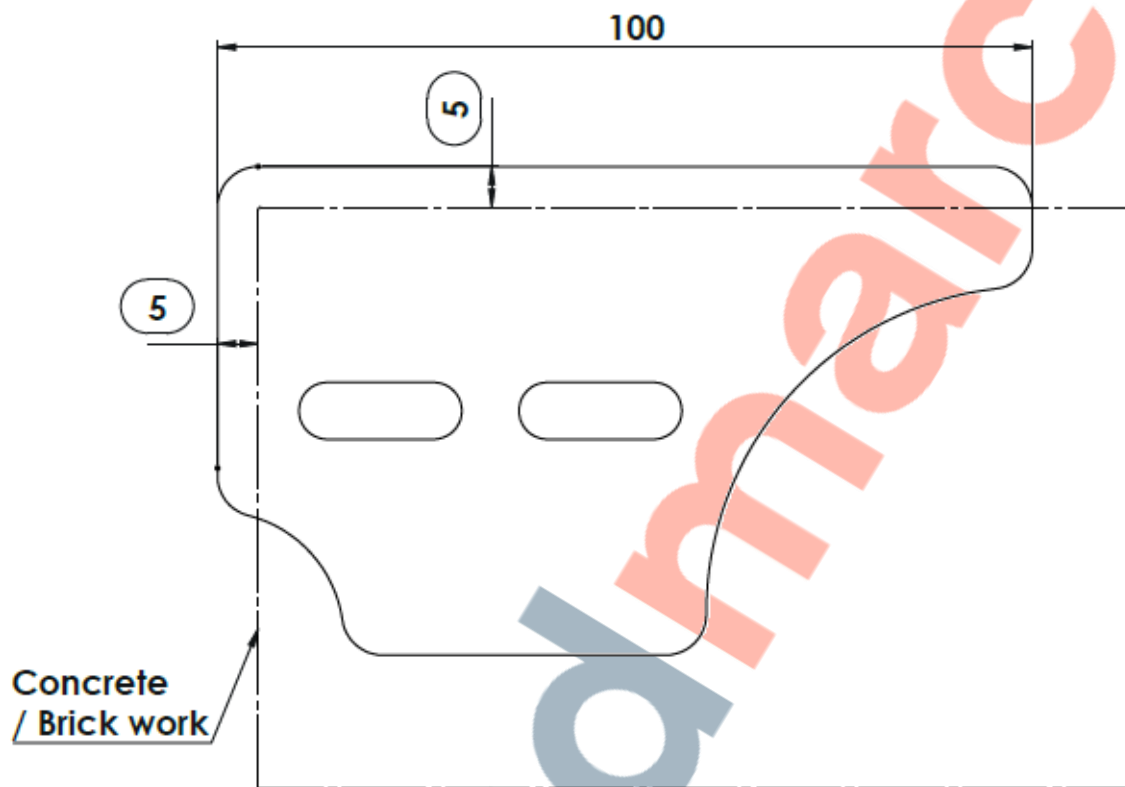
100mm Overall length x 60mm height.
4mm material thickness.

Options

- Brass
- 304 Grade stainless steel
- Bright polish finish
- Bespoke sizing
- Full installation service

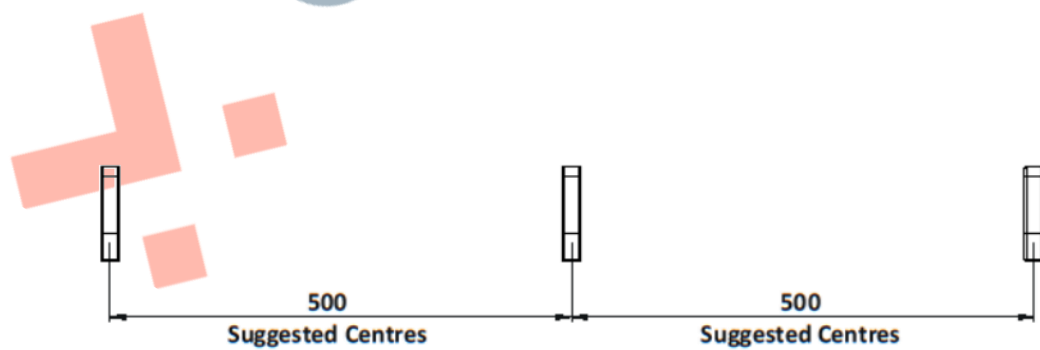


102-101 Anti-Skate Blade Installation



Installation

1. Set blade into wet concrete / mortar as above. Leaving 5mm material to top and front.
2. Ensure stud is secure once all concrete / mortar is dry.



DATASHEET

102-101 Anti-Skate Blade

